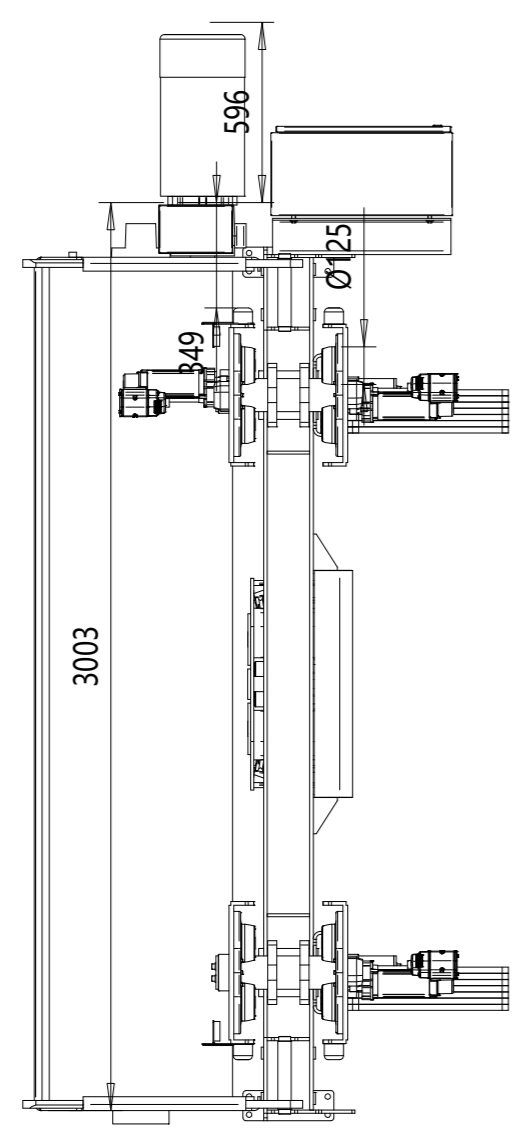
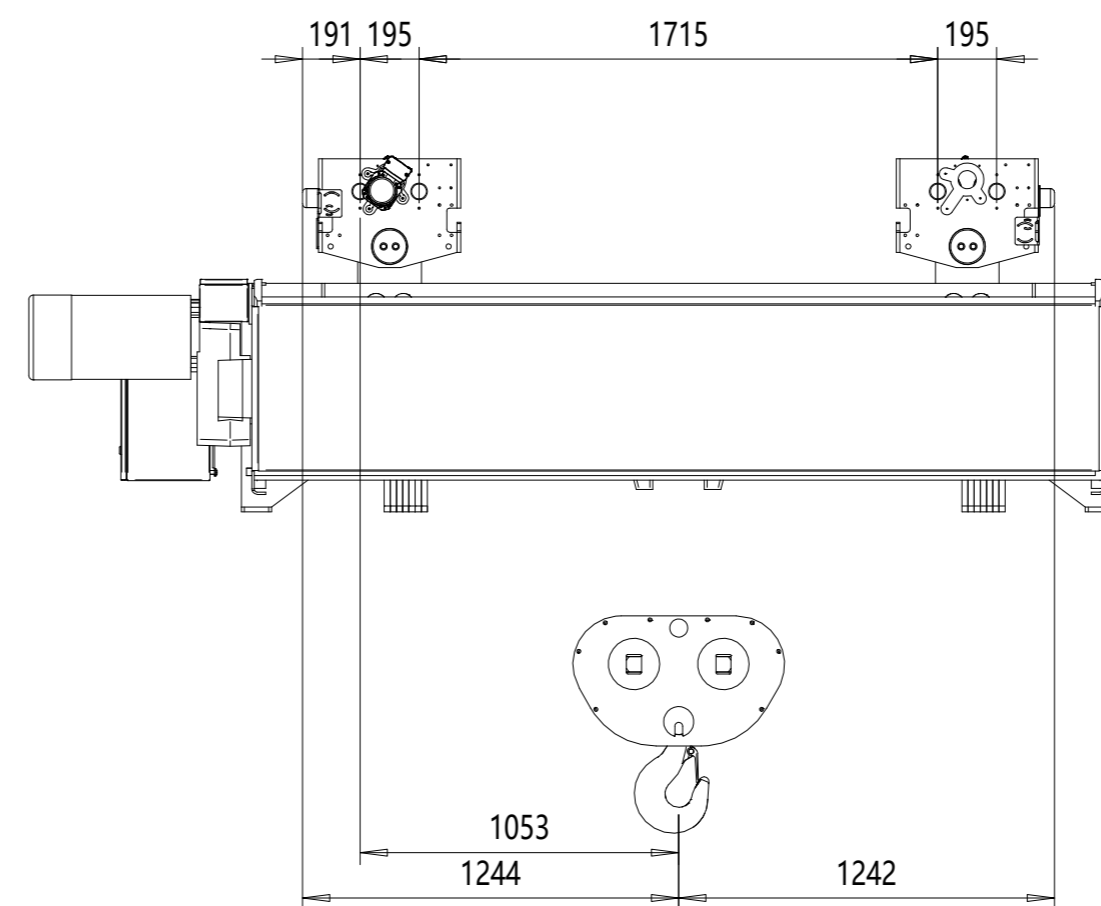
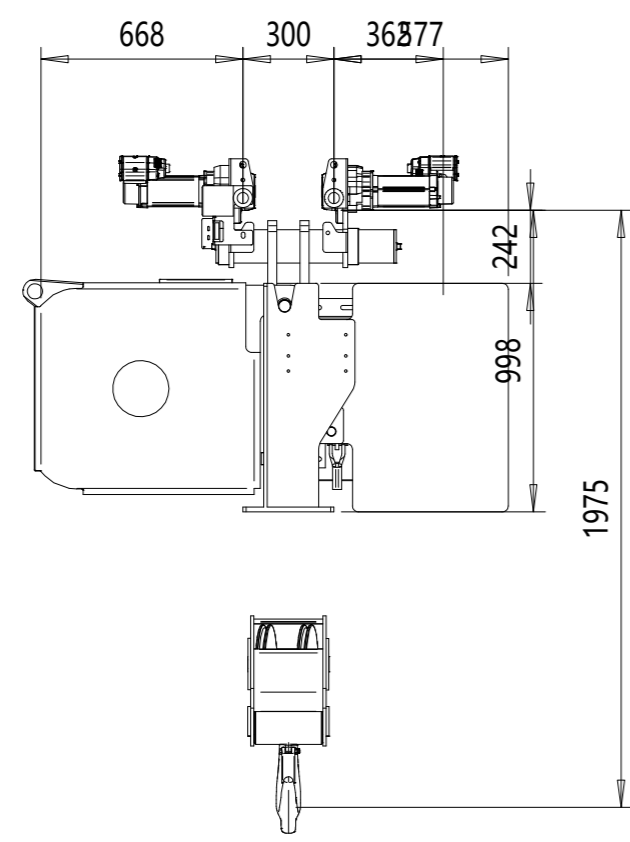


Wciągnik Q16T HP49M-O

REV	CHANGE DESCRIPTION	ECN	DATA	REVISED BY	APPROVED BY
-----	--------------------	-----	------	------------	-------------



**DANE TECHNICZNE**

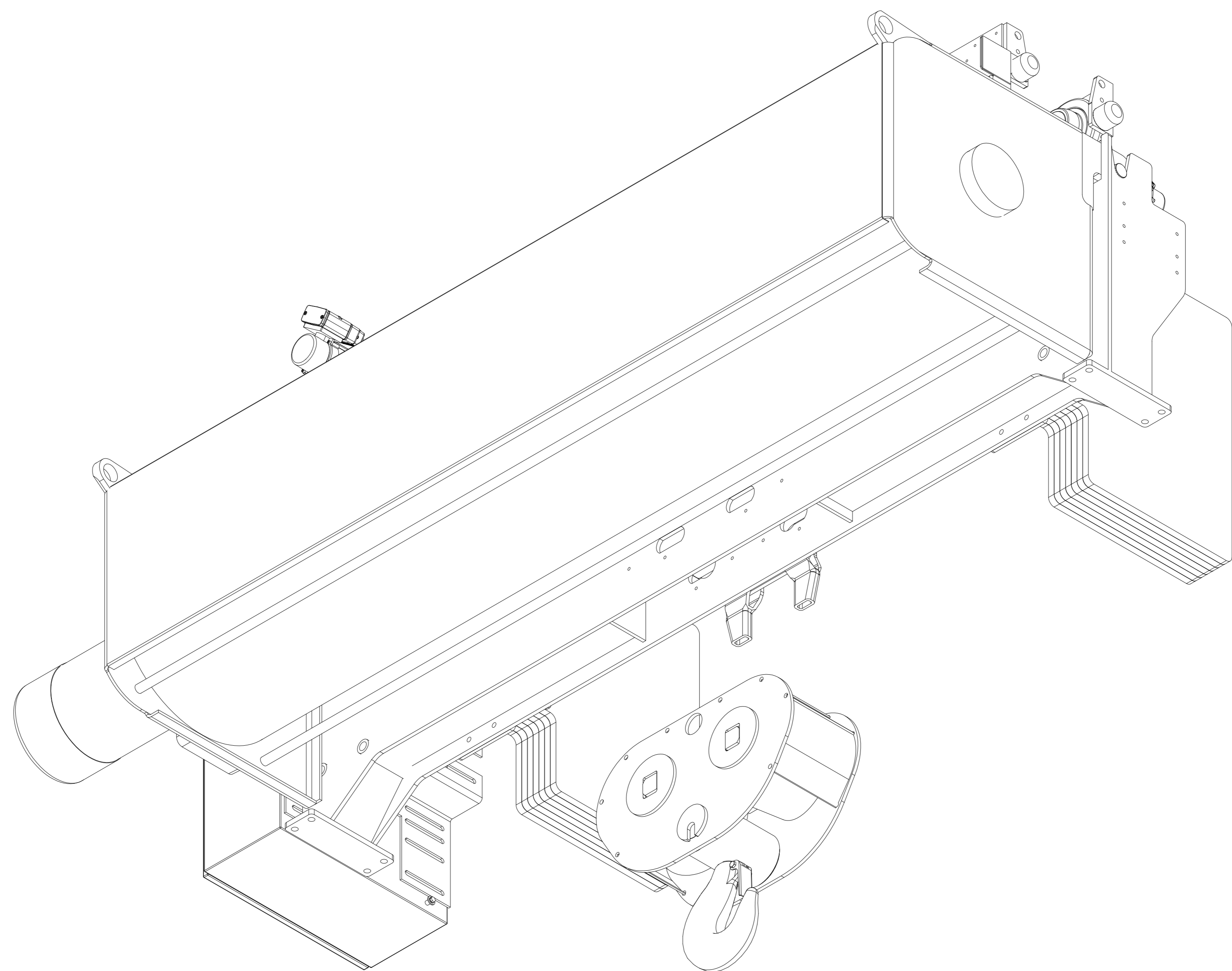
Udźwig	: 16000 kg
Wysokość podnoszenia	: 49 m
Predkosc podnoszenia	: 4/0,7 m/min 2-BIEGOWA
Predkosc jazdy wozka	: 20 m/min PLYNNA REGULACJA
Ciężar wozka	: 4010 kg
Gnp wciągownika	: ISO M5
Zasilanie	: 400 / 48 V; 50 Hz

Pos	Amount	Description	Specification
		JKU/SRP	DAS / 2.150.16
		Design	Chd Appd Ref drawing Vx proj
		01.10.2024	
		Data	
		Kluczbork	NSC16t Hol:49m
		Dział	-
			-
		<b>SWF</b> <b>KRANTECHNIK</b>	Wciągnik Q16T HP49M-O

1:40  
SIZE  
A2  
Rev

SWF Krantechnik reserves the right to alter or amend the above information without notice. This document and the information contained herein, is the exclusive property of SWF Krantechnik and represents a non-public, confidential and proprietary trade secret that may not be reproduced, disclosed to third parties, altered or otherwise employed in any manner whatsoever without the express written consent of SWF Krantechnik GmbH. Copyright © SWF Krantechnik. All rights reserved.

Wciągnik Q16T HP49M-O1



REV	CHANGE DESCRIPTION	ECN	DATA	REVISED BY	APPROVED BY
-----	--------------------	-----	------	------------	-------------

SWF Krantechnik reserves the right to alter or amend the above information without notice.  
 This document and the information contained herein, is the exclusive property of SWF Krantechnik, and represents a non-public, confidential and proprietary design. All rights reserved. No part of this document may be reproduced, stored in a retrieval system, or transmitted in any form or by any means, electronic, mechanical, photocopying, recording, or by any information storage and retrieval system, without the express written consent of SWF Krantechnik GmbH. Copyright © SWF Krantechnik. All rights reserved.

Pos	Amount	Description	Specification		
		JKU/SRP			DAS / 2.150.16
		Design	Chd	Appd	Ref drawing
		01.10.2024			Vx proj
		Data	NSC16t Hol:49m		
		Kluczbork	-		
		Dzial	-		
		<b>SWF</b> <b>KRANTECHNIK</b>	Wciągnik Q16T HP49M-O1		
					Rev

1:40  
 SIZE  
 A2